

# INSTALLATION INSTRUCTIONS

MODEL# **RU3221WT4**



ROUND   
COLLECTION



## READ ALL INSTRUCTIONS BEFORE UNPACKING THE PRODUCT

INSTRUCTIONS THAT, IF IGNORED COULD RESULT IN DEATH OR SERIOUS INJURY CAUSED BY INCORRECT HANDLING OR INSTALLATION OF THE PRODUCT. THESE INSTRUCTIONS MUST BE OBSERVED FOR SAFE INSTALLATION.

**CAUTION!**



**TWO PERSON LIFT REQUIRED**

**2 PEOPLE ARE REQUIRED TO LIFT AND DURING ENTIRE INSTALLATION OF THIS PRODUCT**



**INSTALLATION OF THIS PRODUCTS BY AN INEXPERIENCED INSTALLER MAY RESULT PERSONAL INJURY OR DEATH!**



We reserves the right to change, update, modify, alter, redesign this manual/product or its policies without prior notice! It is your responsibility to visit website to download or contact customer service for the most updated version of the installation instructions.

We shall not be liable for any injuries or property damages in connection with this product during installation or use of this product!

This products must be installed by a fully insured and licensed plumber only. Installation of any our product by anyone other than fully insured and licensed plumber shall void limited warranty. We recommends that such licensed plumber have experience in the installation of products.

Limited warranty is void on any commercial installation.

We are not responsible for local code compliance for this product. Building and plumbing codes may vary from state-to-state in accordance to your location. We are not responsible for providing any compliance certifications.

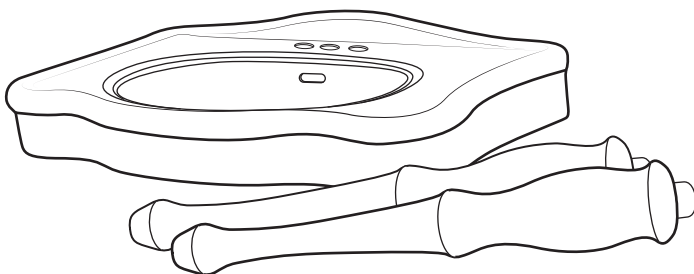
We are not responsible to provide any type of certifications for this product.

Under no circumstances we are shall not be liable for any and all incidental damages sustained in connection with this product Neither manufacture, nor distributor, nor retailer is responsible for water damage or flood caused due to use of this product.

Under no circumstances We shall not be liable for any and all fees, cost of installation/reinstallation/removal, subsequent damage or transportation in case of the product defect.

## SINK COMPONENTS

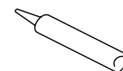
During unpacking the product and prior to installation inspect your new product for any damages or missing parts. Do not attempt to install or operate the product if the product is damaged.



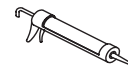
## TOOLS REQUIRED FOR INSTALLATION



Soft Cloth or Blanket



Silicone



Silicone/Caulk Gun



Tape Measure



Adjustable Wrench



Channel Lock Pliers



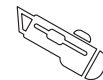
Adjustable Socket Extension



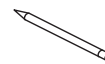
Hand Wrench



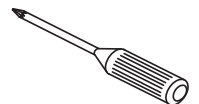
Safety Glass



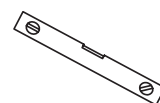
Knife



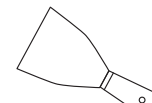
Pencil/Marker



Phillips Screwdriver



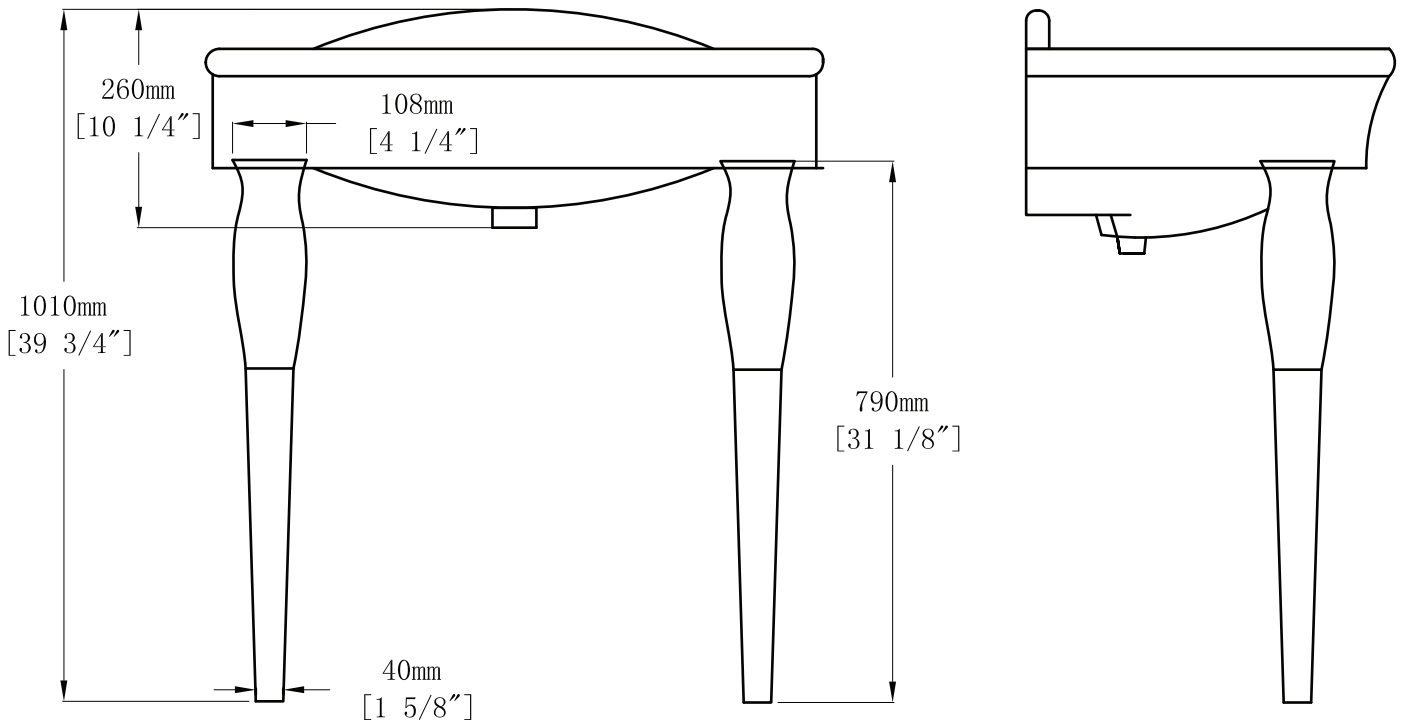
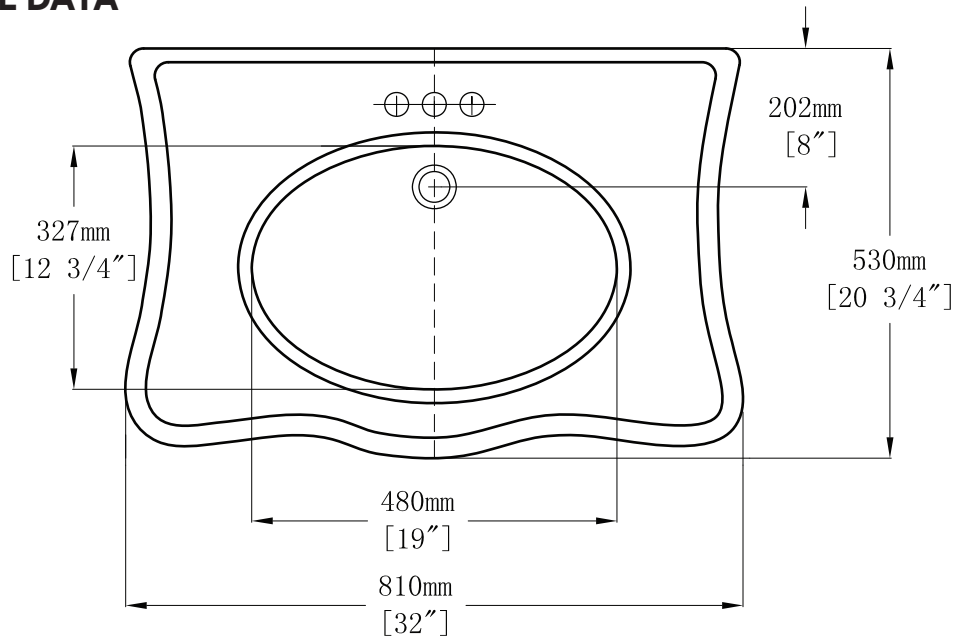
Level



Putty Knife

OTHER TOOLS MAY BE REQUIRED

## DIMENSIONS/TECHNICAL DATA

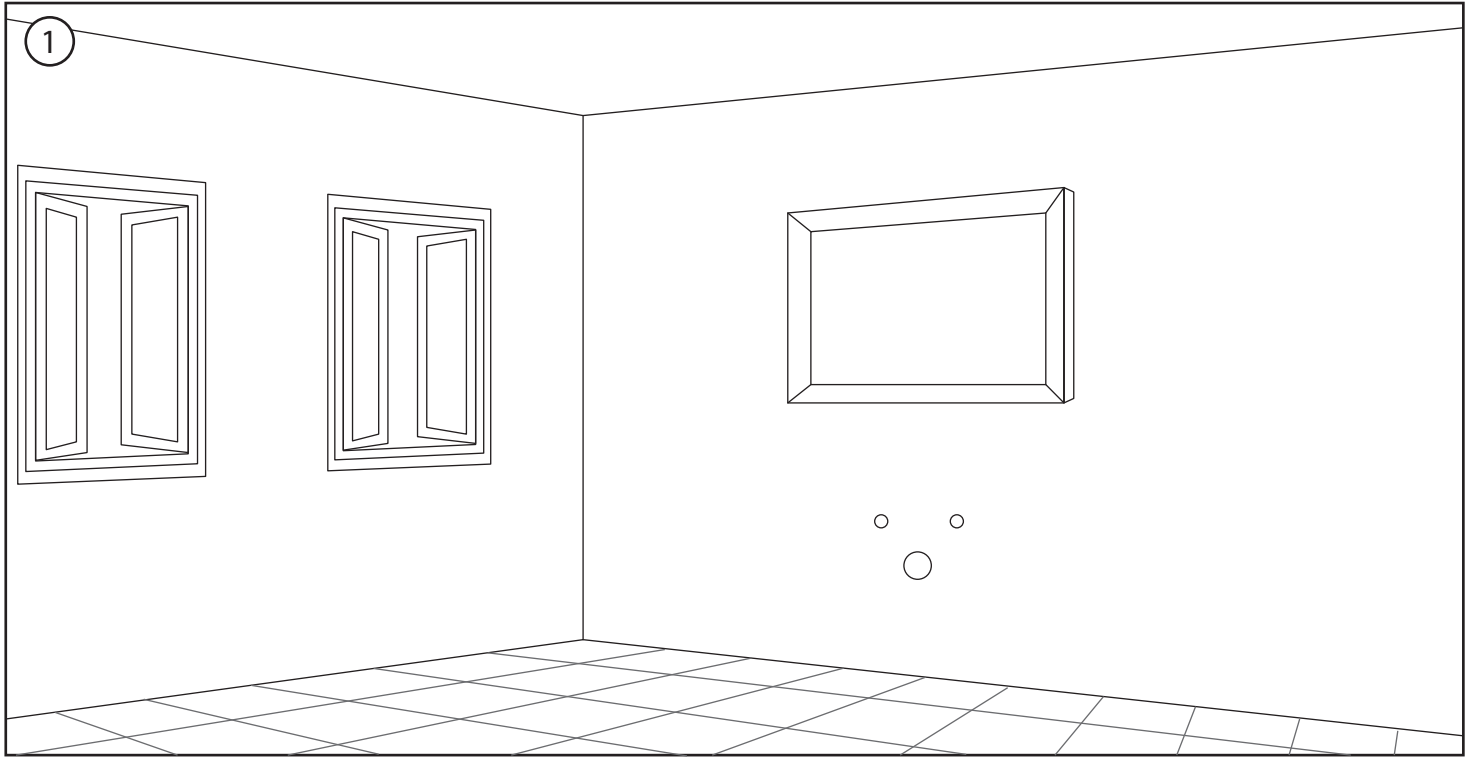


**ATTENTION!** Dimensions may vary by up to 3/8". It is highly recommended to pull all dimensions of actual model for installation and measuring purposes.

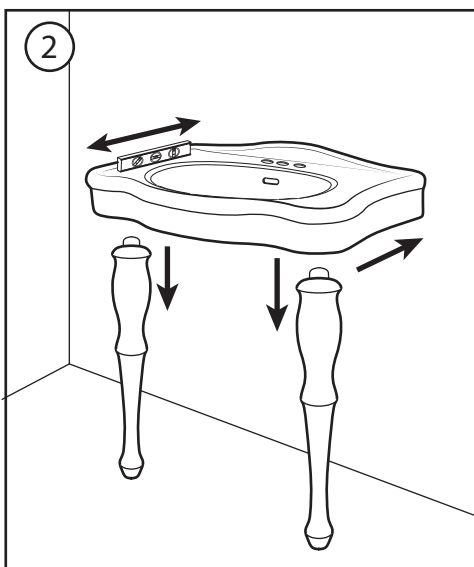
## TECHNICAL DATA

- Dual flush: 1/1.6 GPF

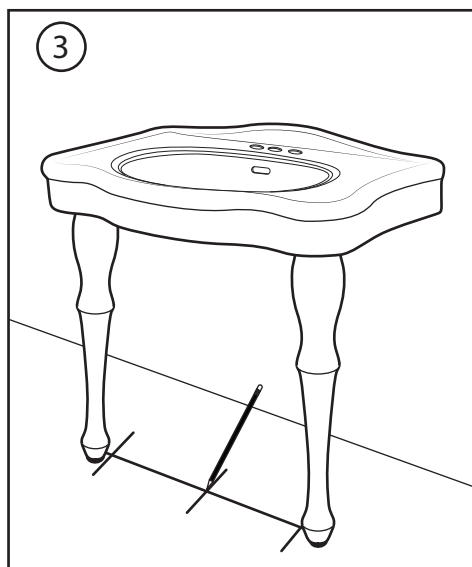
## INSTALLATION INSTRUCTIONS



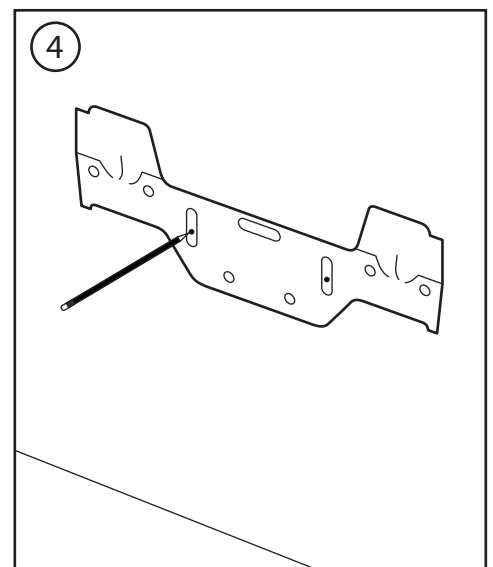
Locate proper position for the console sink in your bathroom. Be sure to provide easy access to plumbing and drain fittings.



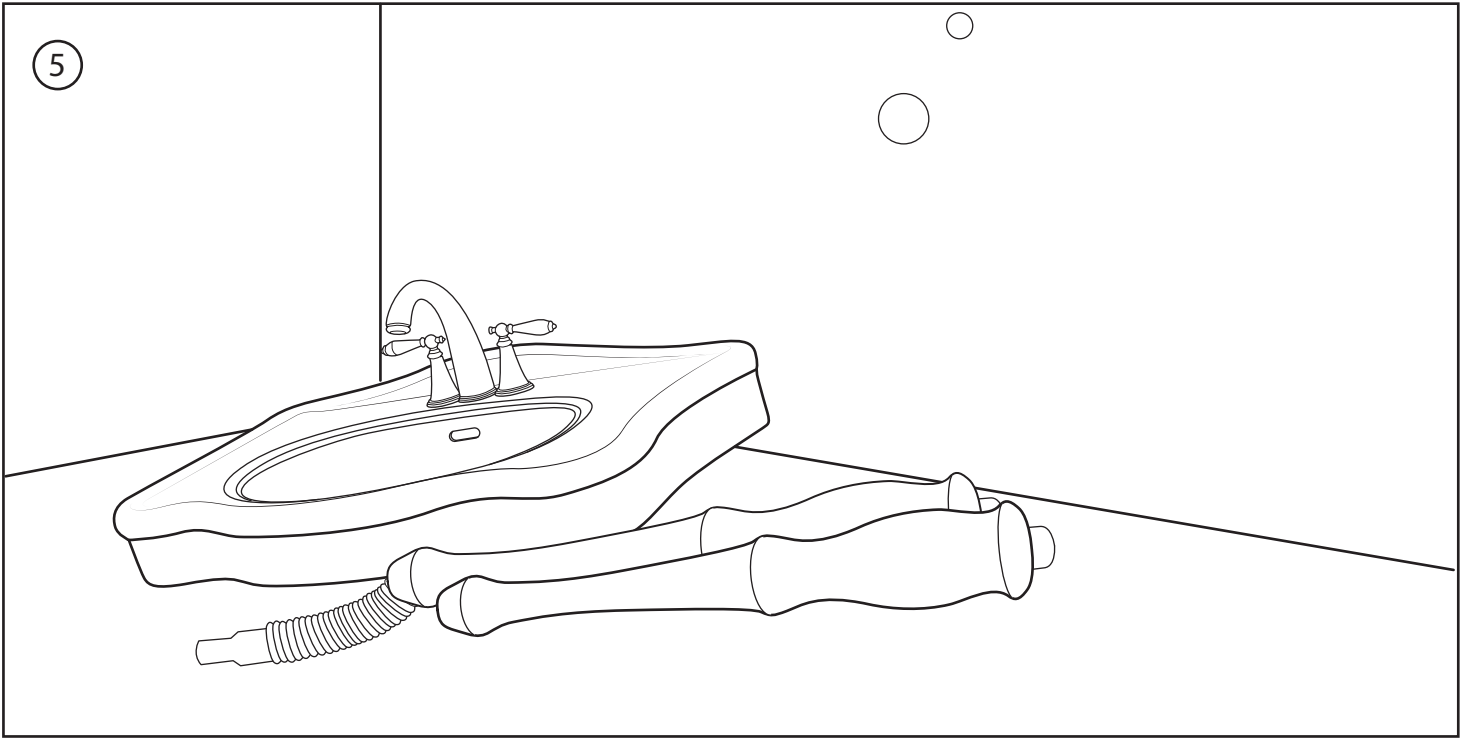
Lift and place sink on its support legs, adjust its position against the wall & using a level make sure it is level, adjust the support legs to plumb position.



Mark the centerline on the floor & trace the support leg base on the floor.

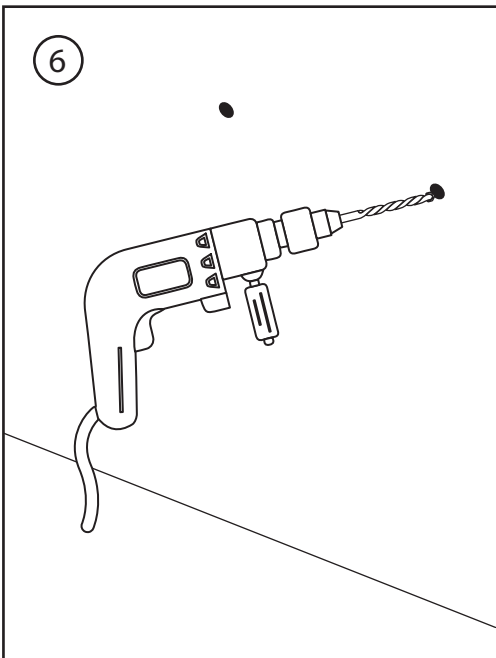


Mark the wall with a pencil at each mounting hole on the underside of the sink.

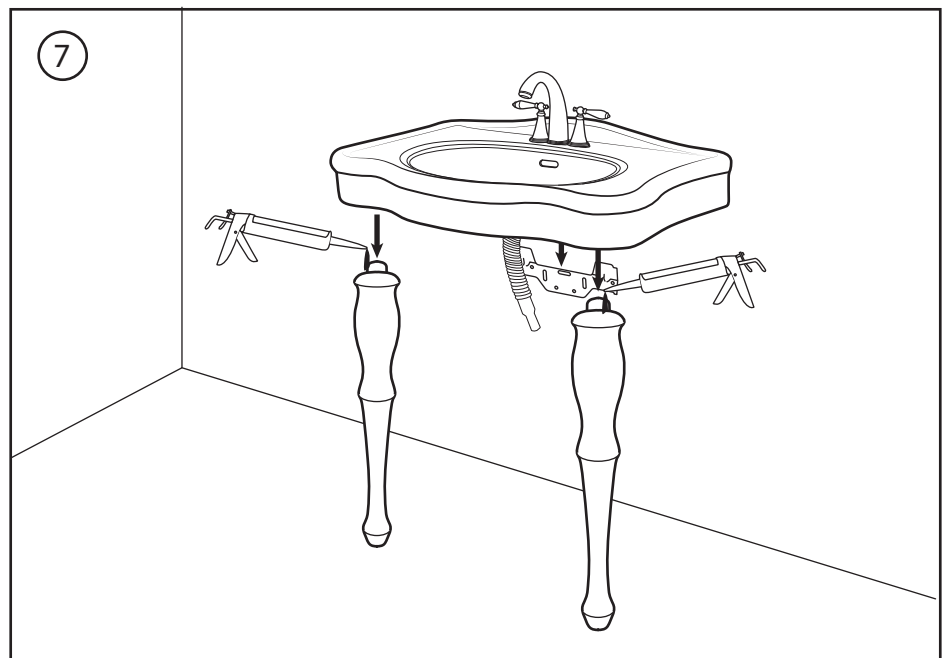


Carefully remove the sink from the support legs & install faucet & drain.

Note: Install sufficient backing behind the finished wall to provide a secure material for the bolting devices

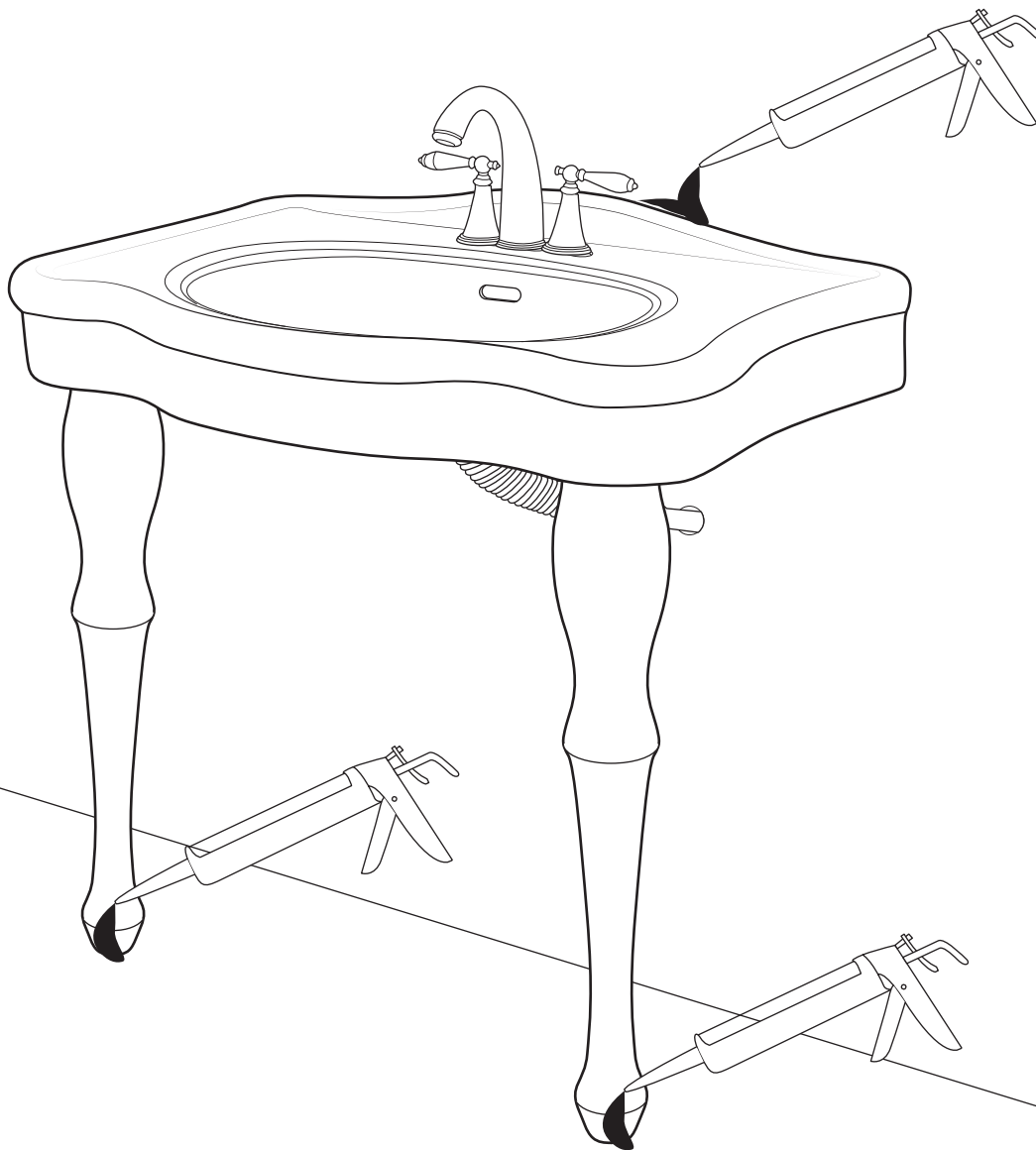


Drill pilot mounting hole at the marked locations on the finished wall.



Carefully lift the sink against the wall & on top of the two support legs to ensure proper fit in the desired location.

8



Complete the plumbing connection as required.

Optional: It is recommended to apply silicone caulk between the back of the sink & the wall, where support legs join the sink & also between the floor & the legs.

Retain these installation instructions for future reference!

Thank you for using Fine Fixtures!